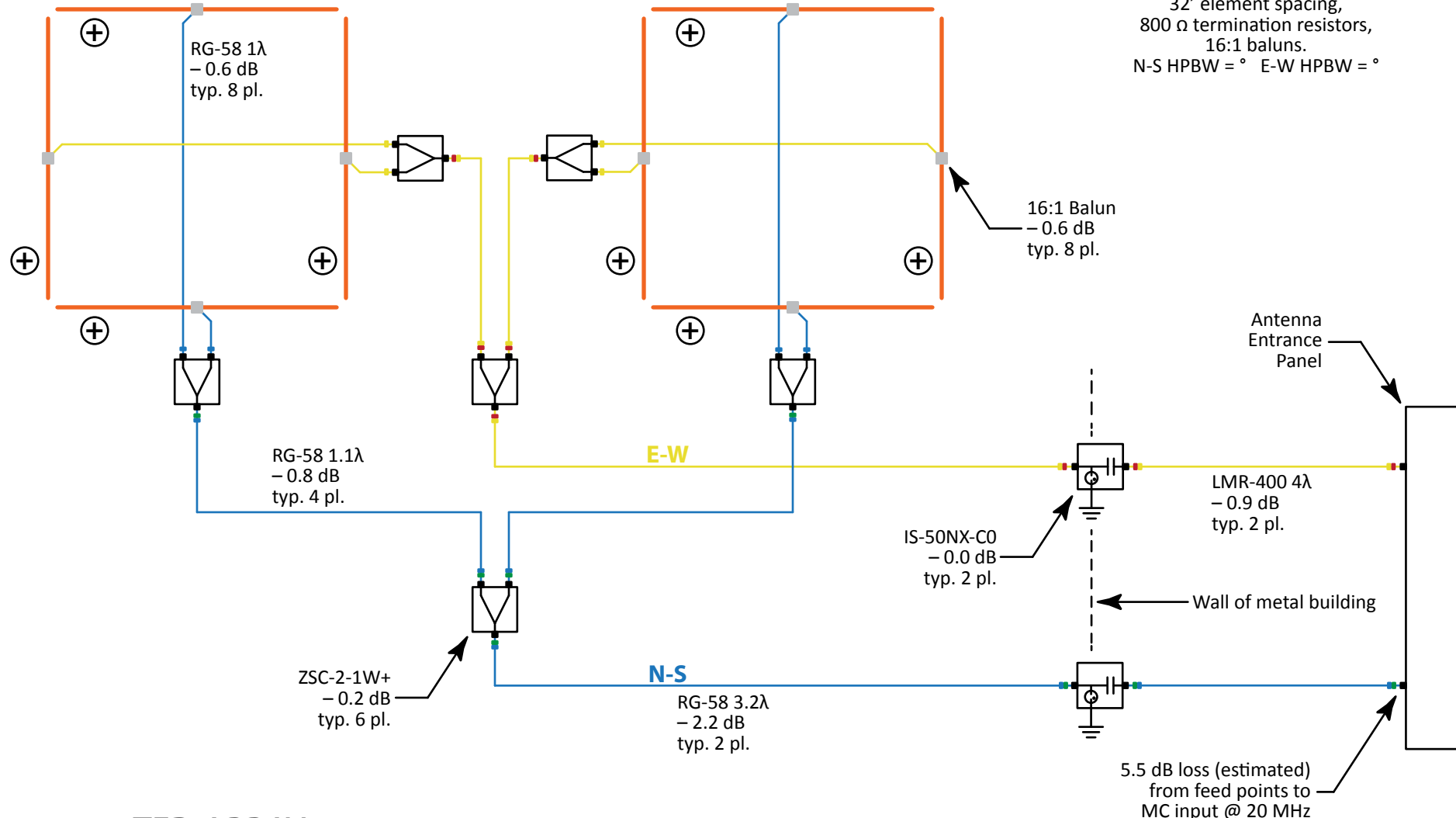


North



TFD ARRAY CONFIGURATION A X-Y MODE

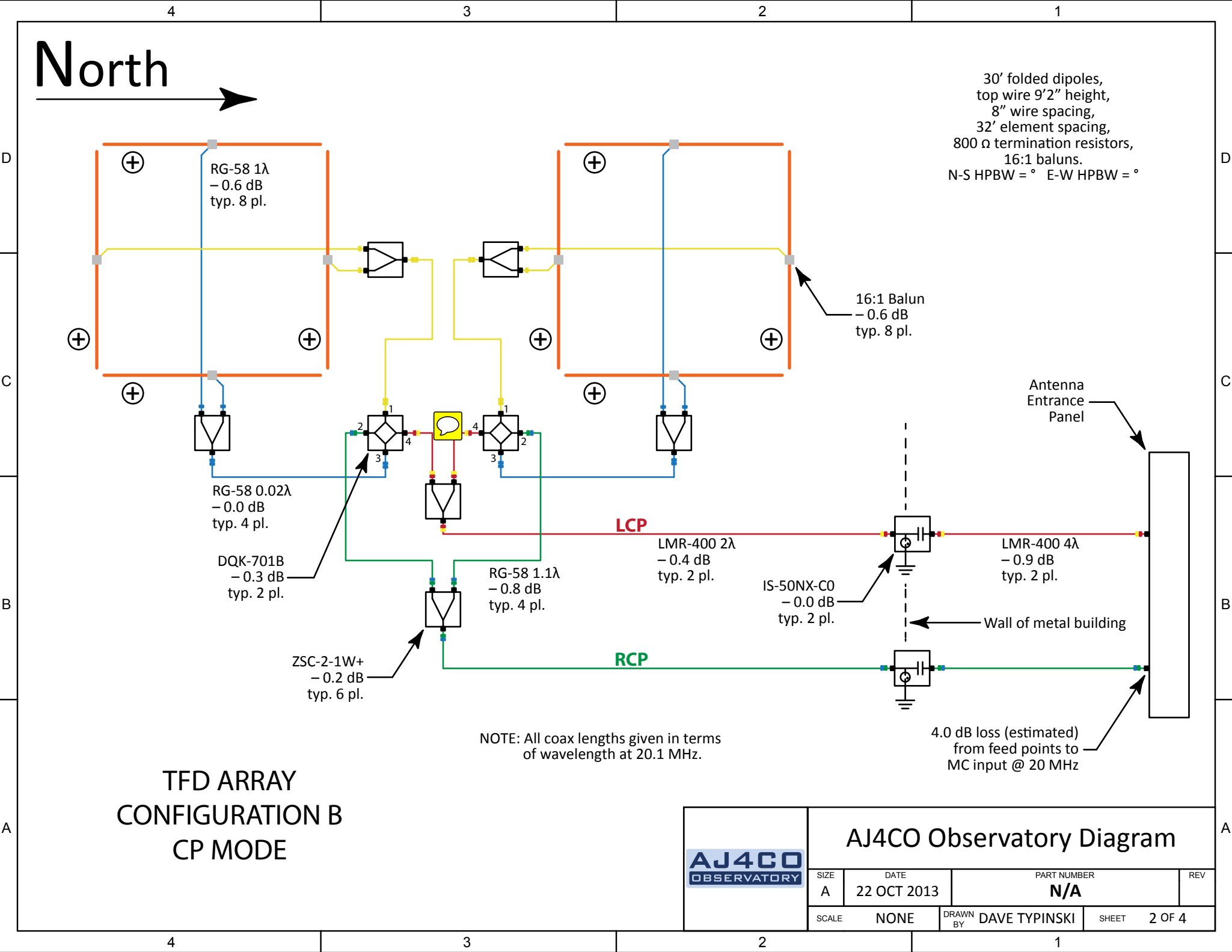
NOTE: All coax lengths given in terms
of wavelength at 20.1 MHz.



AJ4CO Observatory Diagram

SIZE	DATE	PART NUMBER	REV
A	22 OCT 2013	N/A	
SCALE	DRAWN BY	SHEET	1 OF 4
NONE	DAVE TYPINSKI		

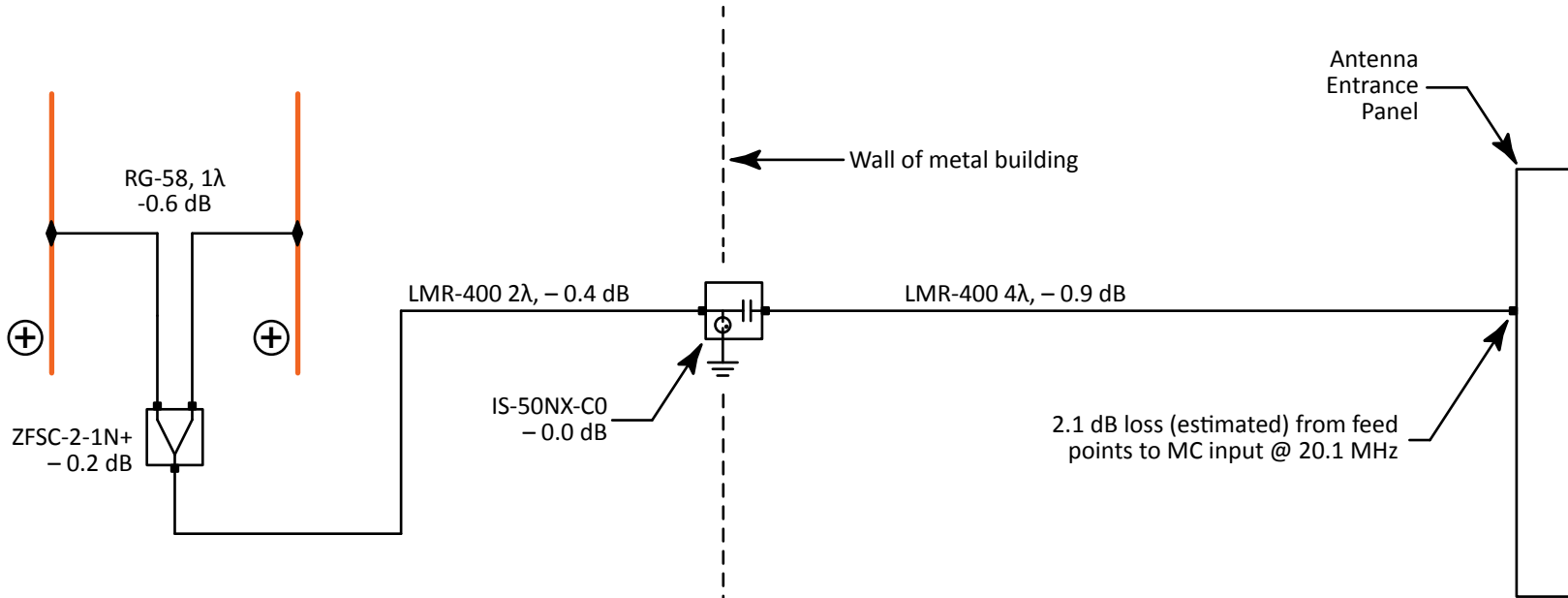
North



TFD ARRAY CONFIGURATION B CP MODE

	AJ4CO Observatory Diagram			
	SIZE A	DATE 22 OCT 2013	PART NUMBER N/A	REV
	SCALE NONE	DRAWN BY DAVE TYPINSKI	SHEET 2 OF 4	

North
→

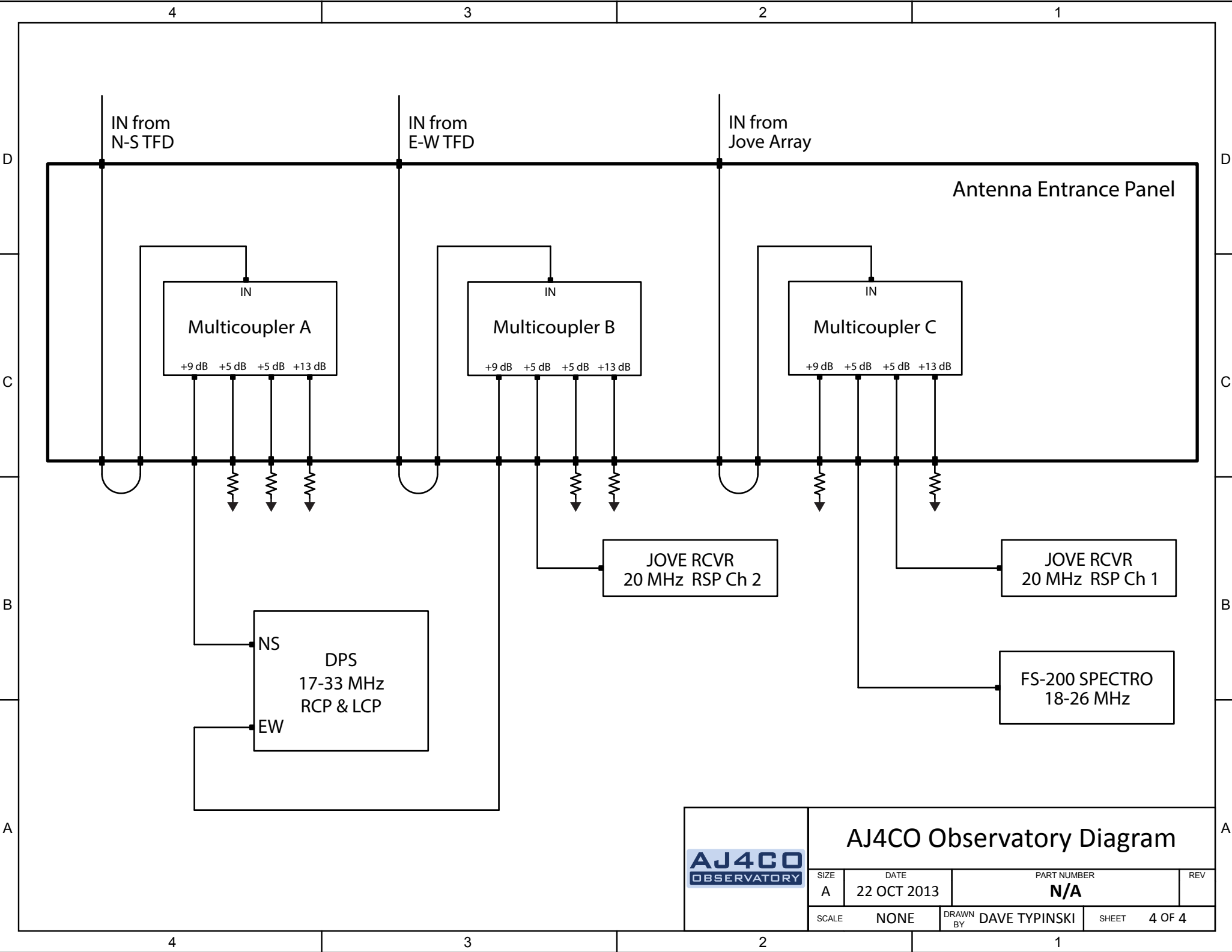



JOVE ARRAY

no phasing,
22'8" dipoles,
11'8" element height
20' element spacing,
HPBW N-S = 71°, E-W = 71°,
7.9 dBi gain (EZNEC).

NOTE: All coax lengths given in terms of wavelength at 20.1 MHz.

	AJ4CO Observatory Diagram			
	SIZE A	DATE 22 OCT 2013	PART NUMBER N/A	REV
	SCALE NONE	DRAWN BY DAVE TYPINSKI	SHEET 3 OF 4	



	AJ4CO Observatory Diagram			
	SIZE A	DATE 22 OCT 2013	PART NUMBER N/A	REV
	SCALE NONE	DRAWN BY DAVE TYPINSKI	SHEET 4 OF 4	



SOUTH

STFD Array

RJ Array

DATE: 22 OCT 2013
SCALE: 1 mm = 1 ft
AJ4CO
OBSERVATORY