

	GENERAL PURPOSE		
SIZE	PLAIN	POWDER COATED	NYLON COATED
A	459-0010	461-0010	462-0010
<b>SEALED</b>			
A	460-0010	453-0010	454-0010

Tel No.+44(0)1724273200 Website www.dem-uk.com

**PROPRIETARY AND CONFIDENTIAL**  
THE INFORMATION CONTAINED IN THIS DRAWING IS THE SOLE PROPERTY OF ALPHA 3 MANUFACTURING.  
ANY REPRODUCTION IN PART OR AS A WHOLE WITHOUT THE WRITTEN PERMISSION OF ALPHA 3 MANUFACTURING IS PROHIBITED.

UNLESS OTHERWISE SPECIFIED:  
DIMENSIONS ARE IN MILLIMETRES  
LINEAR TOLERANCE:  
**NO DECIMAL PLACES ±0.5mm**  
**1 DECIMAL PLACE ±0.25mm**  
**2 DECIMAL PLACES ±0.125mm**  
ANGULAR TOLERANCE: ±1°

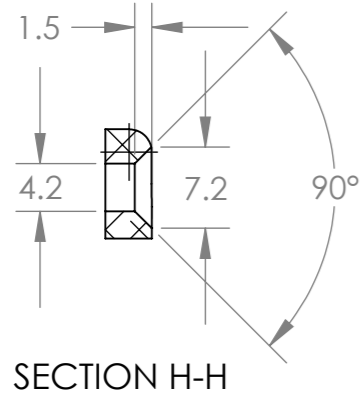
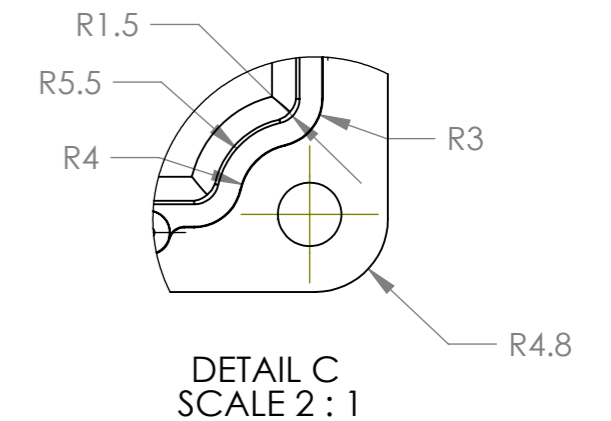
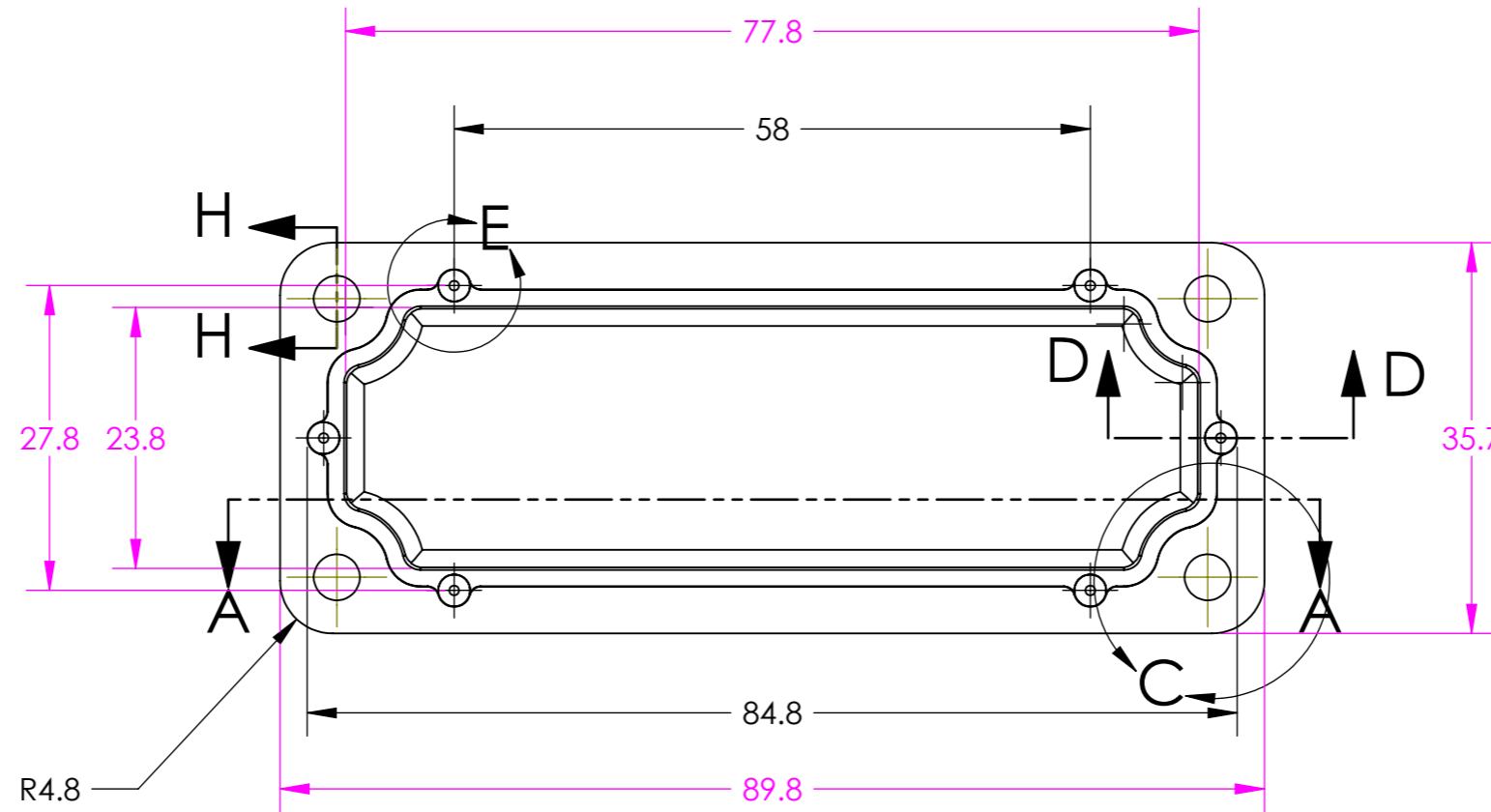
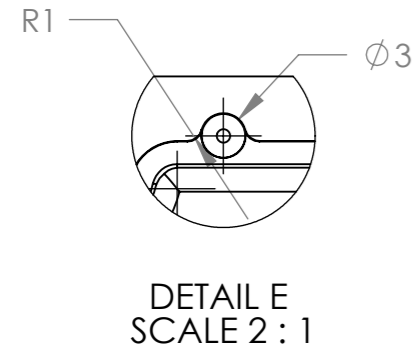
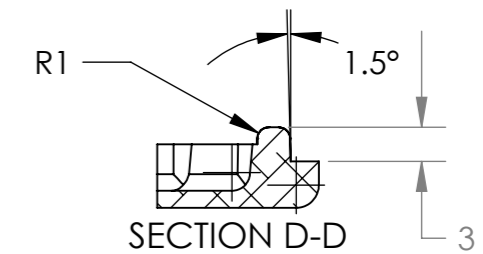
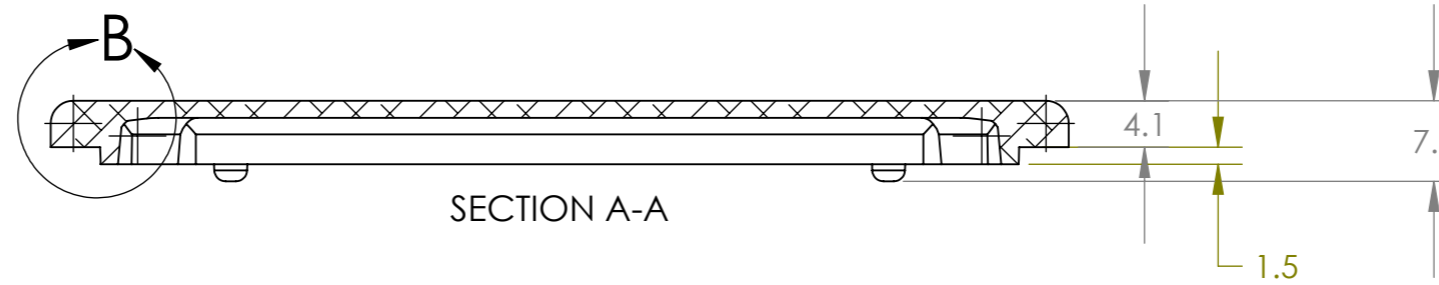
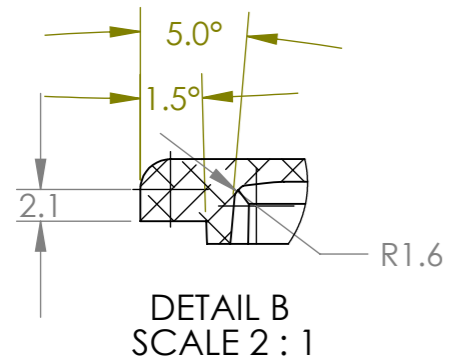


DEM Manufacturing, Deltron Emcon House  
Hargreaves Way, Sawcliffe Ind. Park,  
Scunthorpe, North Lincolnshire, DN15 8RF, UK

FINISH .  
DEBURR AND BREAK SHARP EDGES  
DRAWN BY B.SILLENCE  
APPROVED BY WC  
THIRD ANGLE PROJECTION  
IF IN DOUBT ASK DO NOT SCALE DRAWING  
MATERIAL DieCast Aluminium Alloy

SHEET 1 OF 1  
SCALE 1:1  
A3

TITLE **PROCUREMENT SPECIFICATION FOR 'A' SIZE DIECAST BOX**  
DRAWING NO. **A BOX**  
ISSUE **01**  
Release



Tel No.+44(0)1724273200 Website www.dem-uk.com

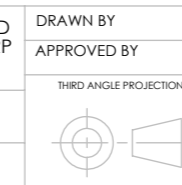


**PROPRIETARY AND CONFIDENTIAL**  
THE INFORMATION CONTAINED IN THIS DRAWING IS THE SOLE PROPERTY OF ALPHA 3 MANUFACTURING.  
ANY REPRODUCTION IN PART OR AS A WHOLE WITHOUT THE WRITTEN PERMISSION OF ALPHA 3 MANUFACTURING IS PROHIBITED.

**DEM** Manufacturing, Deltron Emcon House  
Hargreaves Way, Sawcliffe Ind. Park,  
Scunthorpe, North Lincolnshire, DN15 8RF, UK

UNLESS OTHERWISE SPECIFIED:  
DIMENSIONS ARE IN MILLIMETRES  
LINEAR TOLERANCE:  
**NO DECIMAL PLACES ±0.5mm**  
**1 DECIMAL PLACE ±0.25mm**  
**2 DECIMAL PLACES ±0.125mm**  
ANGULAR TOLERANCE: ±1°

FINISH .  
DEBURR AND BREAK SHARP EDGES  
DRAWN BY B.SILLENCE  
APPROVED BY B.SILLENCE  
THIRD ANGLE PROJECTION  
IF IN DOUBT ASK DO NOT SCALE DRAWING  
MATERIAL DieCast Aluminium Alloy



SHEET 1 OF 1  
SCALE 1.5:1  
A3

TITLE **PROCUREMENT SPECIFICATION FOR 'A' SIZE BOX LID**  
DRAWING NO. A LID  
ISSUE 01  
Release

# Mouser Electronics

Authorized Distributor

Click to View Pricing, Inventory, Delivery & Lifecycle Information:

[Deltron:](#)

[459-0010](#) [460-0010](#)