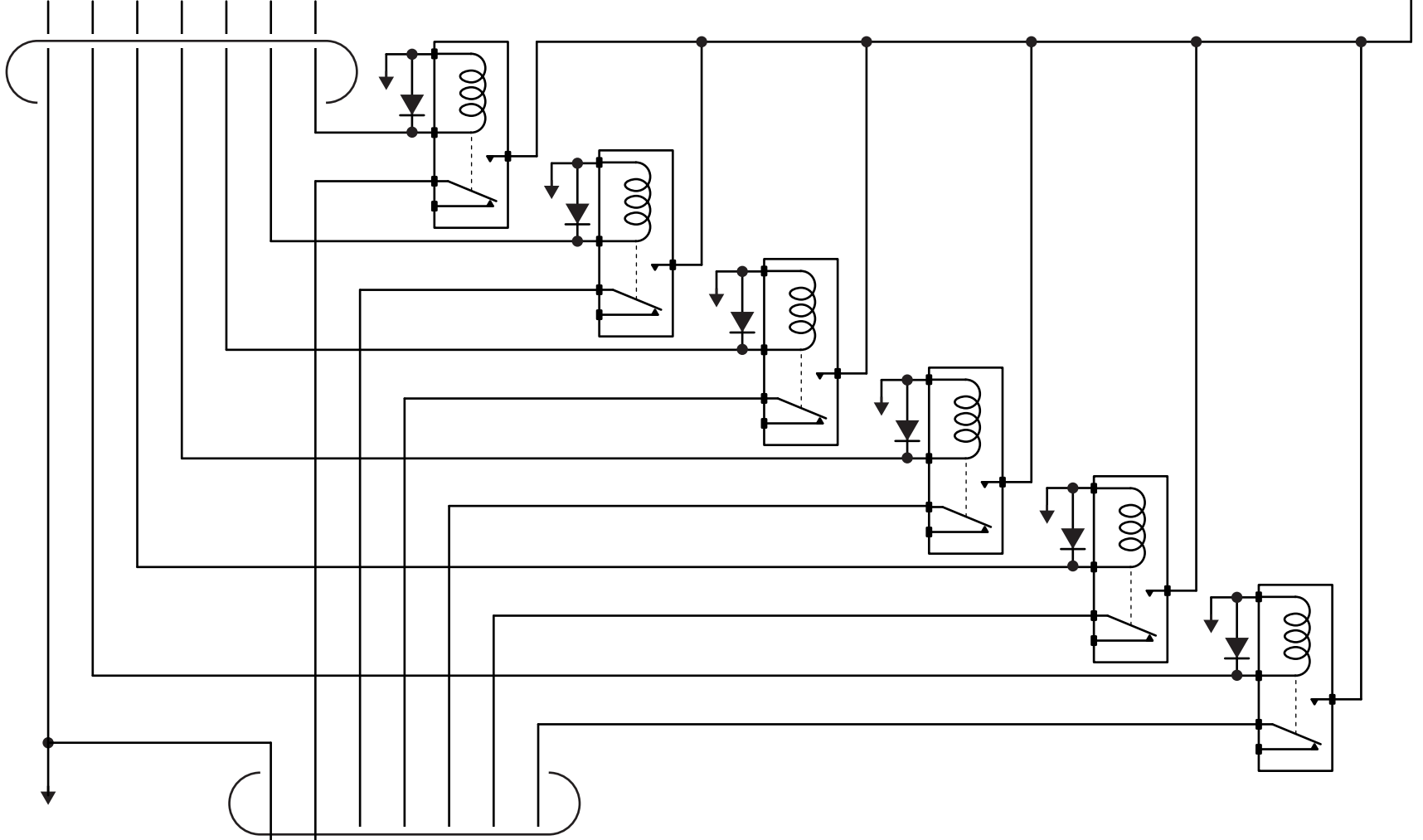


Cable from Beam Steering Controller

	ENGAGE		STEER INCREMENT			
GND	W	E	4	3	2	1
GRN	BLU	ORG	YEL	BRN	RED	WHT

26 VDC



GRN	WHT	RED	BRN	YEL	ORG	BLU
GND	1	2	3	4	E	W
	STEER INCREMENT				ENGAGE	

Cable to EW RYM-01 Modules

- NOTES:
- 1) SPDT relays Omron G2RL-14-E-DC12, 12 VDC, 33 mA
 - 2) EW RYD-01 shown, NS RYD-01 same layout
 - 3) Diodes 1N4148



Relay Driver RYD-01

Station Diagrams	SIZE A	DATE 29-SEP-2014	DRAWN BY DAVE TYPINSKI	REV A
	SCALE 1:1	RYD-01	SHEET 7 OF	