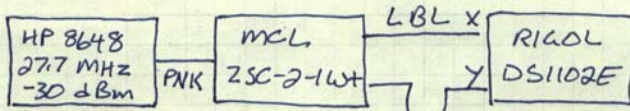


Synergy Microwave DQK-7013 90° Hybrid

TEST ①

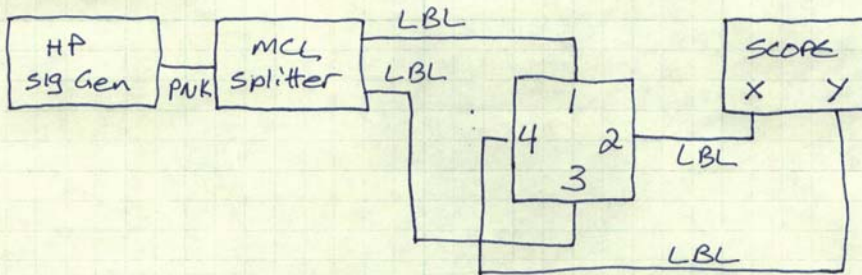


$LBL + PNK \rightarrow PNK = \frac{1}{4} \lambda @ 27.7 \text{ MHz}$

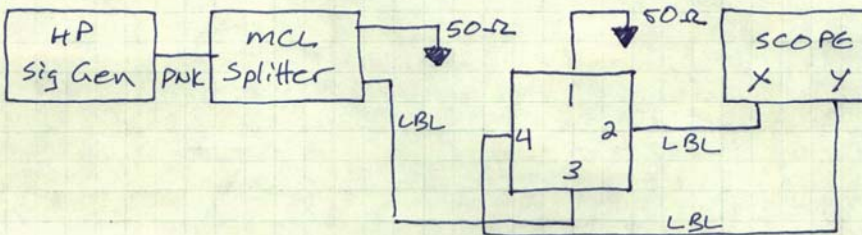
TEST ②



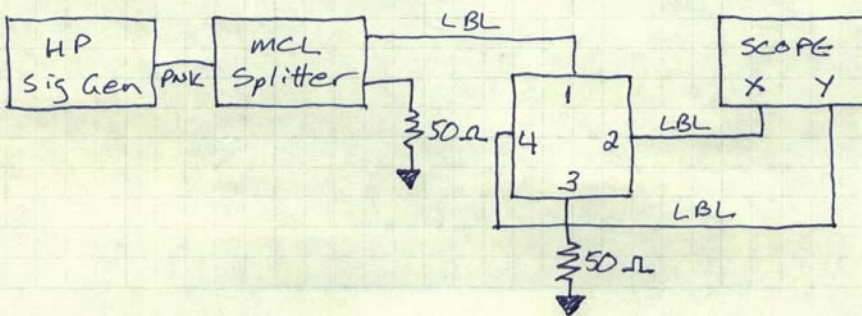
TEST ③



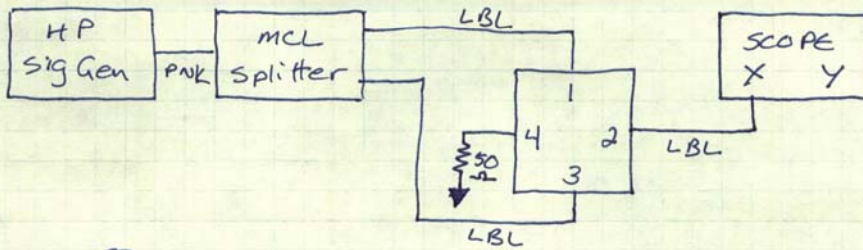
TEST ④



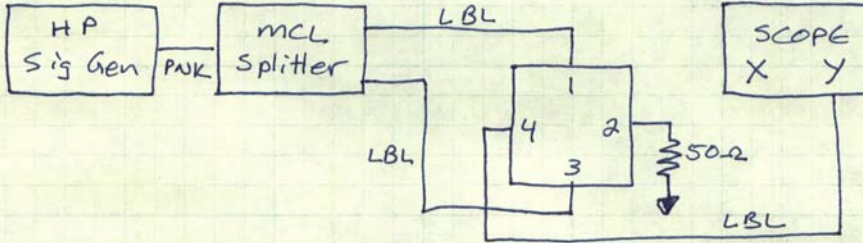
TEST ⑤



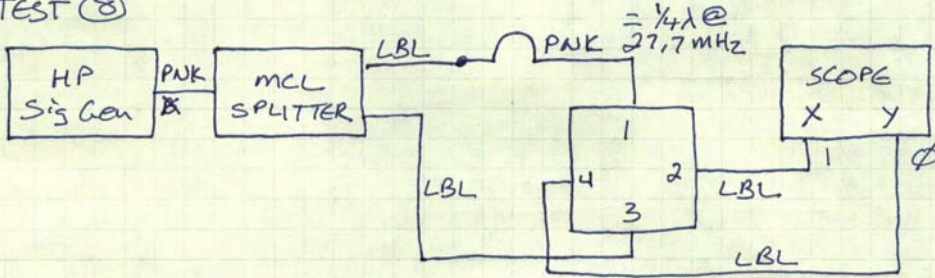
TEST 6



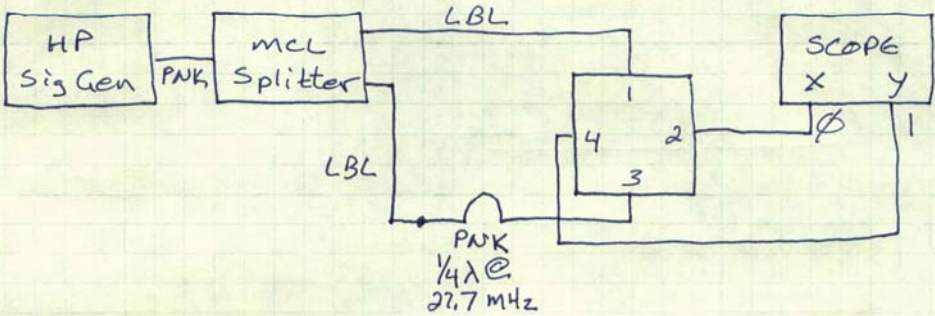
TEST 7



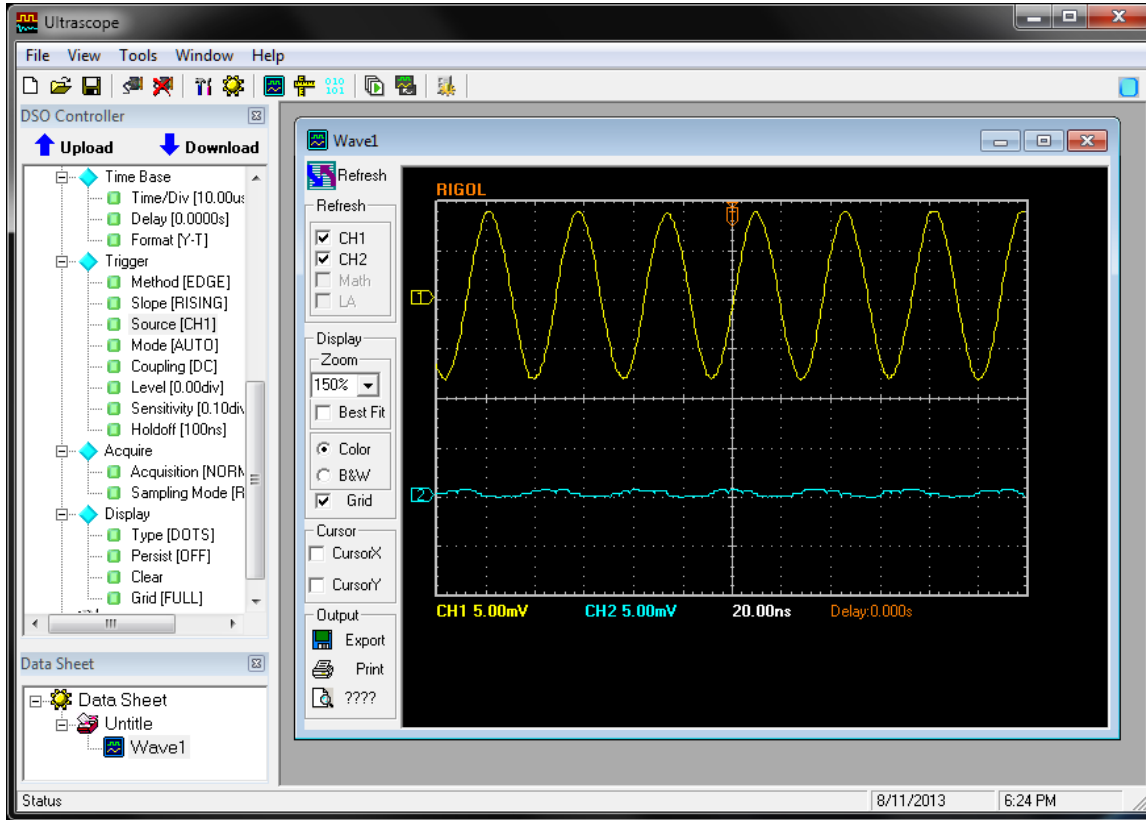
TEST 8



TEST 9



TEST 8:



TEST 9:

